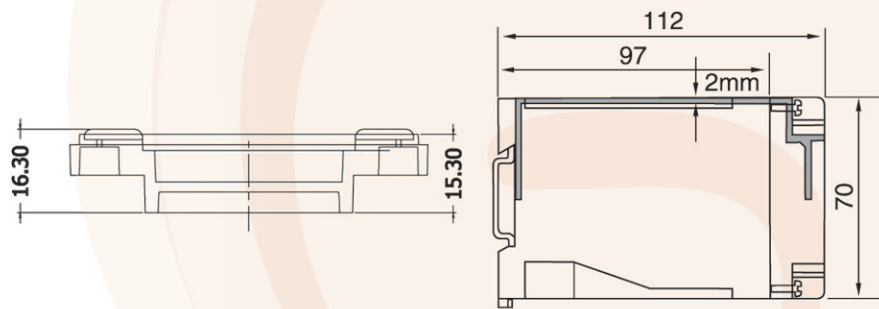
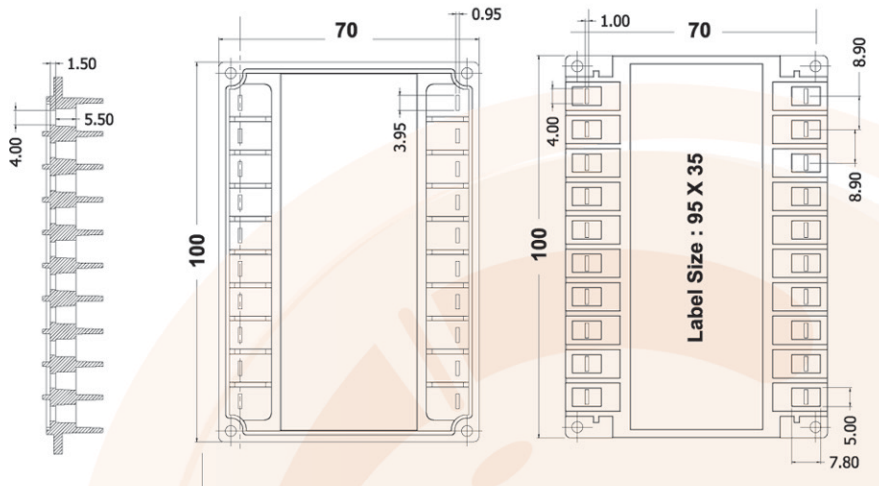


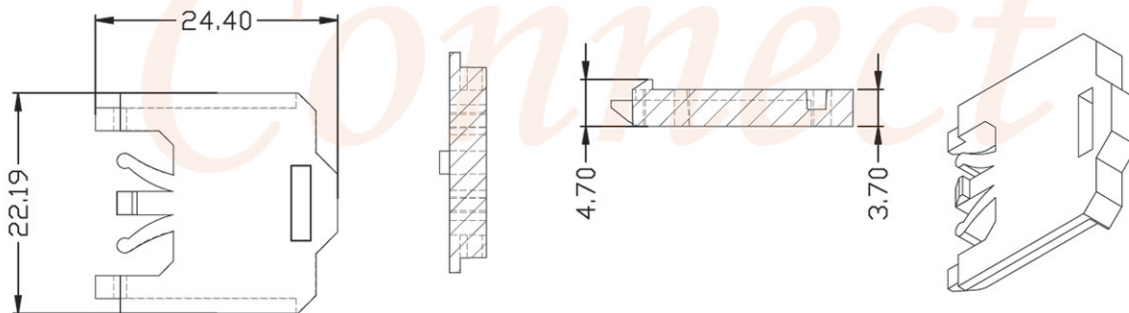
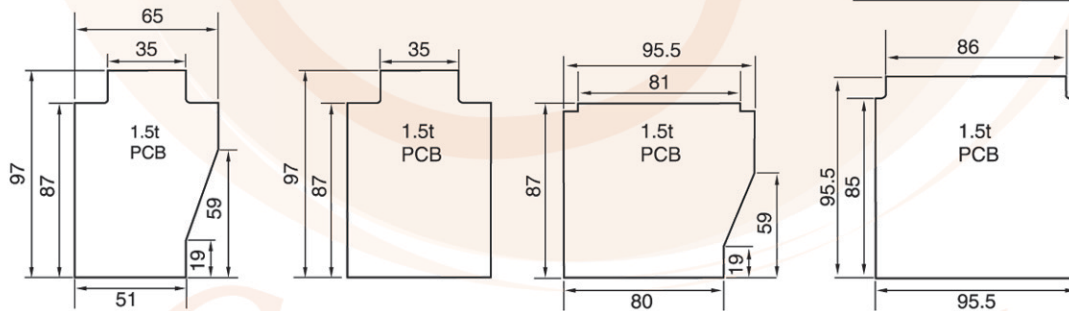


Product Code : GC - ED - 7010 (Terminals 10+10)

Description : DIN RAIL ENCLOSURE



SPECIFICATION	
ELECTRICAL	
● RATINGS :	300V 15 Amps.
● VOLTAGE BREAKDOWN:	>2500 volts AC
● INSULATION :	>100 meg. ohms at 500V DC
OPERATING TEMPERATURE 60°c (MAX)	
IP CLASSIFICATION	
● HOUSING :	IP 40
● TERMINAL COVER :	IP 10
MECHANICAL :	
A HOUSING -	ABS
B TERMINAL COVER -	ABS
C MOUNTING CLIP -	DELTRIN
● SCREWS :	SLOTTED / COMBIHEAD, WITH BRASS WASHER / NI- PLATED
● TERMINALS :	BRASS / TIN - PLATED



All Dimensions are in mm

Manufactured By :

GeniusConnect Systems LLP

"India's Leading Manufacturer of Din Rail Enclosure & Panel Mount Enclosure"

Shop No. 1, Ground Floor, Royal Plaza, Near Deshpande Garden, Vadgaon BR, Narhe, Pune, 411041, Maharashtra, India.

www.geniusconnect.in

geniusconnectsystems@gmail.com

+91 96899 17924 / +91 98224 45923

