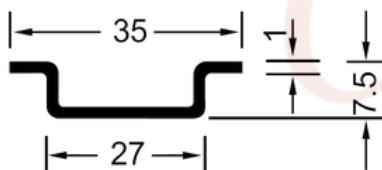
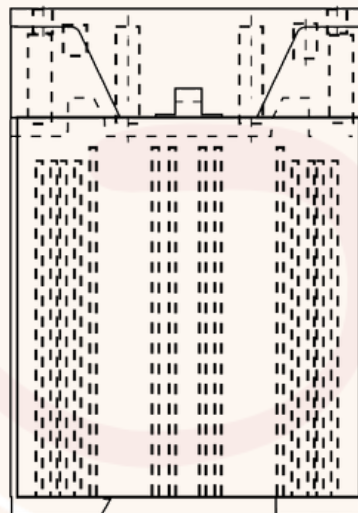
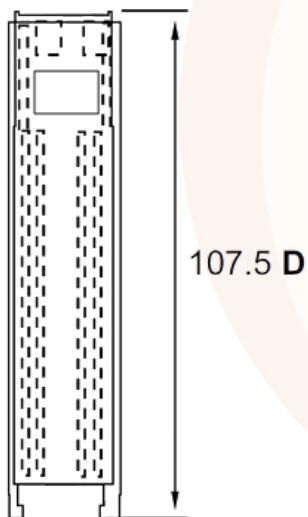
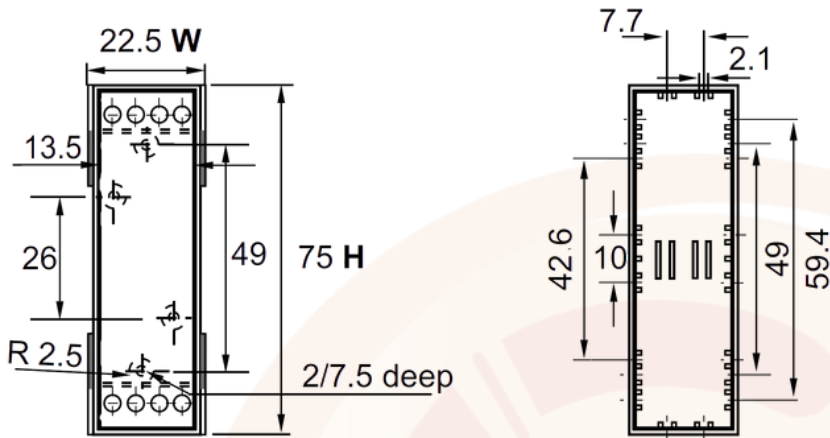




Product Code : GC - ED - 7522 (Terminals 4+4)

Description : DIN RAIL ENCLOSURE



| PCB Dimension | |
|---------------|------------|
| W | D |
| 18.5 ± 0.1 | 74.0 ± 0.1 |

Specification

- Compact enclosure for electronic and electrical sub-systems
- Suitable for timers, counters, level switches, etc.
- Moulded in ABS material with light grey colour
- Provision for 4+4 PCB type mountable terminal blocks
- Terminal block pitch: 5.08 mm (available on request)
- Enclosure can be latched onto 35 mm DIN-Rail (EN 50022)
- Size: W22.5 × L107.5 × H75 mm

Manufactured By :

GeniusConnect Systems LLP

"India's Leading Manufacturer of Din Rail Enclosure & Panel Mount Enclosure"

Shop No. 1, Ground Floor, Royal Plaza, Near Deshpande Garden, Vadgaon BR, Narhe, Pune, 411041, Maharashtra, India.

www.geniusconnect.in

geniusconnectsystems@gmail.com

+91 96899 17924 / +91 98224 45923

