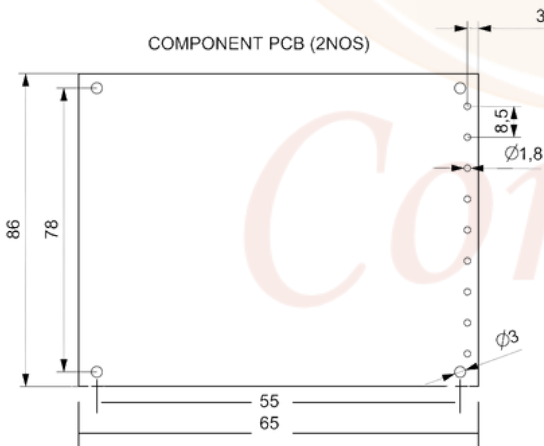
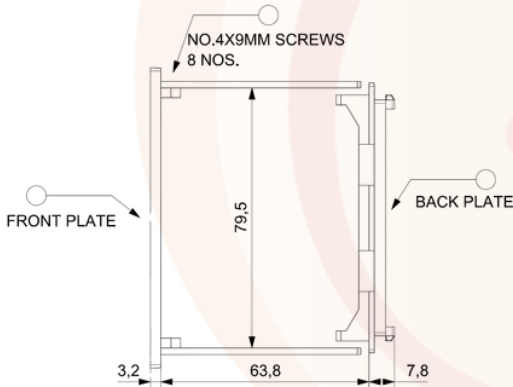
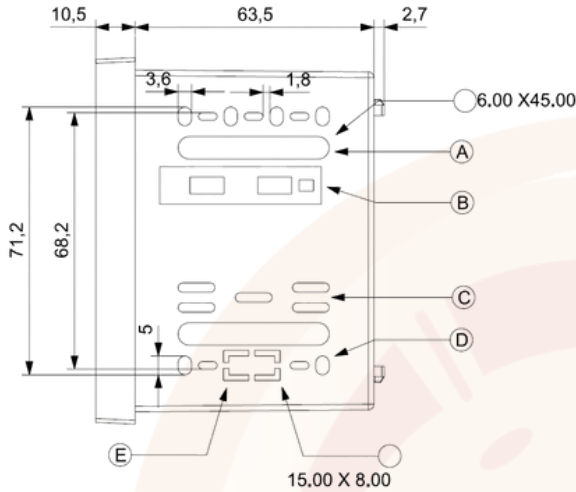




Product Code : GC - 9960 - 96 x 96 x 65

Description : Panel Mount Enclosure



OVERALL WALL THICKNESS 2MM - 2.5MM

PANEL CUT OUT SIZE : 92MM X 92MM

A	6MM X 45MM SLOTS FOR STICKER
B	SLOT FOR PANEL MOUNTING CLAMP
C	AIR VENTILATION
D	WINDOWS FOR COMPONENTS LIKE TRIM POT PRE SET ETC
E	KNOCK OUT FOR COMPONENTS LIKE USB DIP SWITCH ETC

Manufactured By :

GeniusConnect Systems LLP

"India's Leading Manufacturer of Din Rail Enclosure & Panel Mount Enclosure"

Shop No. 1, Ground Floor, Royal Plaza, Near Deshpande Garden, Vadgaon BR, Narhe, Pune, 411041, Maharashtra, India.

www.geniusconnect.in

geniusconnectsystems@gmail.com

+91 96899 17924 / +91 98224 45923

